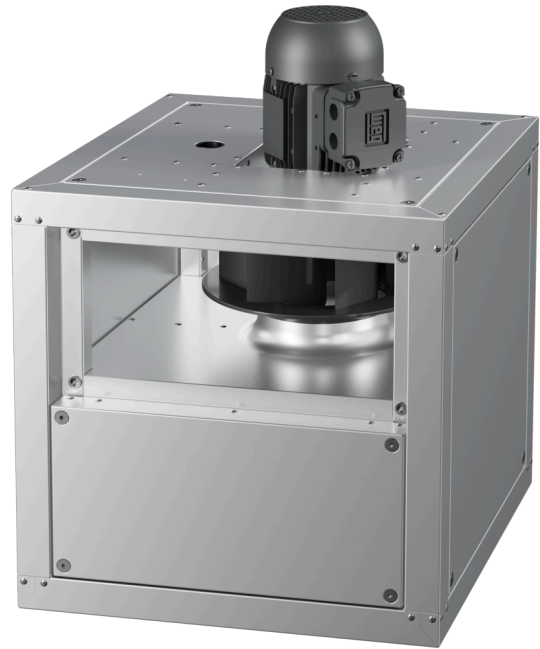


# MPC 225 D2 TI 40

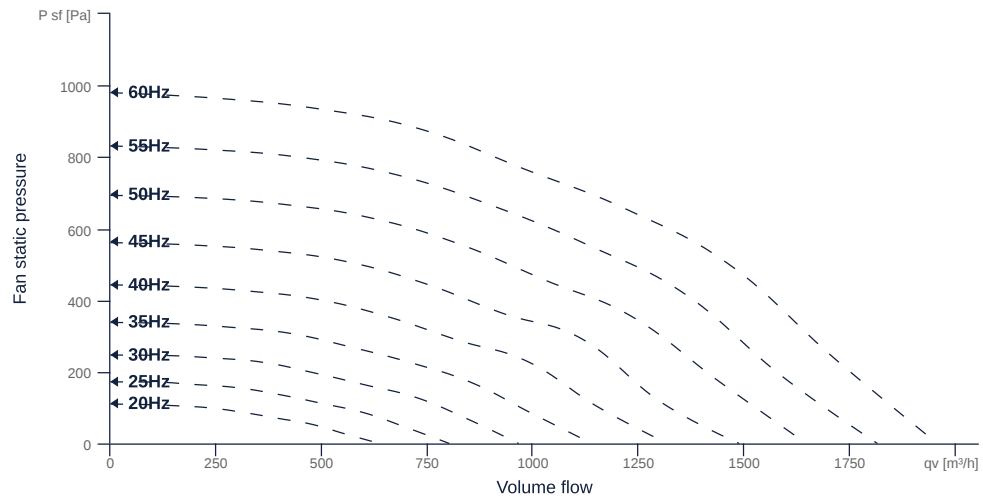
158226

- Backward curved centrifugal impeller
- Linear air flow
- Double wall housing made of galvanized steel sheet, insulated
- AC motor outside the airflow, controllable
- Conveyed medium temperature up to 120 °C in continuous operation
- Housing bottom designed with integrated drain



## FAN CURVES

Name	Value	Unit
Volume flow	0	m <sup>3</sup> /h
Pressure	0	Pa



to the product detail page

# MPC 225 D2 TI 40

158226

**ruck**

## GENERAL DATA

Name	Value	Unit	Formula symbol
Labeling	CE, UKCA		
Duct size	-		WxH <sub>duct</sub>
Pipe connection size (DN)	-		DN
Rated voltage (entire device)	400	V	U <sub>rated</sub>
Phases (entire device)	3~		phase
Electrical protection (entire device)	6 A		fuse
Housing material	Galvanized steel		mat <sub>casing</sub>
Impeller material	Coated steel		mat <sub>impeller</sub>
IP-protection class (entire device)	IPX4		IP <sub>compl</sub>
IP-Protection class (terminal box)	IP55		IP <sub>ebox</sub>
Weight	40.3	kg	m
Nominal air flow rate, nominal point m <sup>3</sup> /h	1065.6	m <sup>3</sup> /h	q <sub>v,nom</sub>
Nominal external pressure, static	724	Pa	p <sub>s,nom</sub>
Fan type	Radial		Fan <sub>type</sub>
Category / Installation situation	A		cat

## ERP DATA (LOT 6)

Name	Value	Unit	Formula symbol
Nominal air flow rate, nominal point m <sup>3</sup> /s	0.3	m <sup>3</sup> /s	q <sub>v,nom</sub>
Actual electrical input power, nominal point	0.46	kW	P <sub>e,nom</sub>
Face velocity, nominal point	5.4	m/s	v <sub>nom</sub>
Nominal external pressure, static	724	Pa	p <sub>s,nom</sub>
supply air fan static efficiency, nominal point	53.2	%	η <sub>es,SUP</sub>
Highest external air leakage rate	0.2	%	
Enclosure sound level, nominal point	74	dB(A)	L <sub>WA2</sub>
Rating	Product is compliant 2018		



to the product detail page

# MPC 225 D2 TI 40

158226

## MAXIMAL DATA

Name	Value	Unit	Formula symbol
Max. power consumption (device)	496	W	$P_{ed, max}$
Max. operating current (device)	0.9	A	$I_{ed, max}$
Max. speed	3520	1/min	$n_{max}$
Max. stat. efficiency	40.9	%	$\eta_{es}$
Max. fan efficiency	41.8	%	$\eta_e$
Max. flowrate	1960	m <sup>3</sup> /h	$q_v, max$
Max. stat pressure	980	Pa	$p_{sf, max}$
Max. medium temperature	120	°C	$T_m, max$
Max. environment temperature	60	°C	$T_{amb, max}$
Min. environment temperature	-20	°C	$T_{amb, min}$



to the product detail page

# MPC 225 D2 TI 40

158226

ruck

## MOTOR DATA

Name	Value		Unit	Formula symbol
	50 Hz	60 Hz		
Rated frequency (device)		50		f
Motor type		AC 3~		phase
Control type		frequency-controlled		ctrltype
Installation type		IRM (In)		install
Rotation direction		right		rotation
Isolation class		ISO F		ISOclass
Protection class		IP55		IPmotor
Is pole-changeable		No		polexch
Type of power supply		AC 3~		pwrsupmotor
Number of poles (1)		2.000000		num polesw1
Connection	$\Delta$	Y		wiringw1
Connection (wiring 2)	Y			wiringw2
Rated voltage	230	460	V	U <sub>rated, f1</sub>
Rated voltage (wiring 2)	400		V	U <sub>rated, f2</sub>
Rated current	2.07	1.07	A	I <sub>rated, f1</sub>
Rated current (wiring 2)	1.19		A	I <sub>rated, f2</sub>
Shaft power	550	550	W	P <sub>out, f1</sub>
Shaft power (wiring 2)	550		W	P <sub>out, f2</sub>
Speed	2770	3415	1/min	n <sub>f1</sub>
Speed (wiring 2)	2770		1/min	n <sub>f2</sub>
Starting current	122	7.81	A	I <sub>start, f1</sub>
Starting current (wiring 2)	70.2		A	I <sub>start, f2</sub>
Efficiency	77.8	77	%	$\eta_m, f1$
Efficiency (wiring 2)	77.8		%	$\eta_m, f2$
Efficiency class	IE3	IE3		IE <sub>motor</sub>
Min. temperature	-20	-20	°C	T <sub>motor, min</sub>
Cos Phi	0.860000	0.840000		cos $\varphi$
UL-Certification motor		UL recognized		ULcert

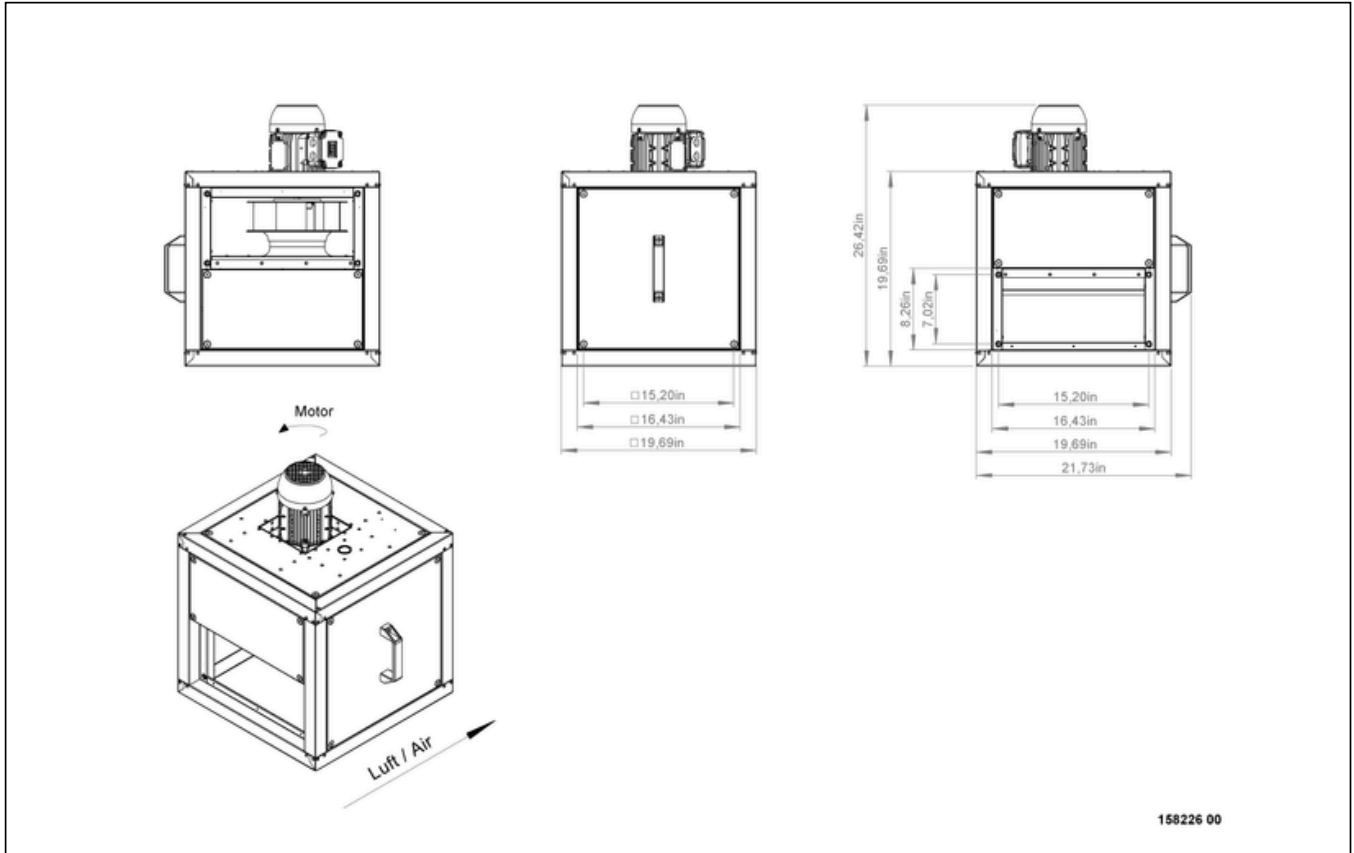


to the product detail page

# MPC 225 D2 TI 40

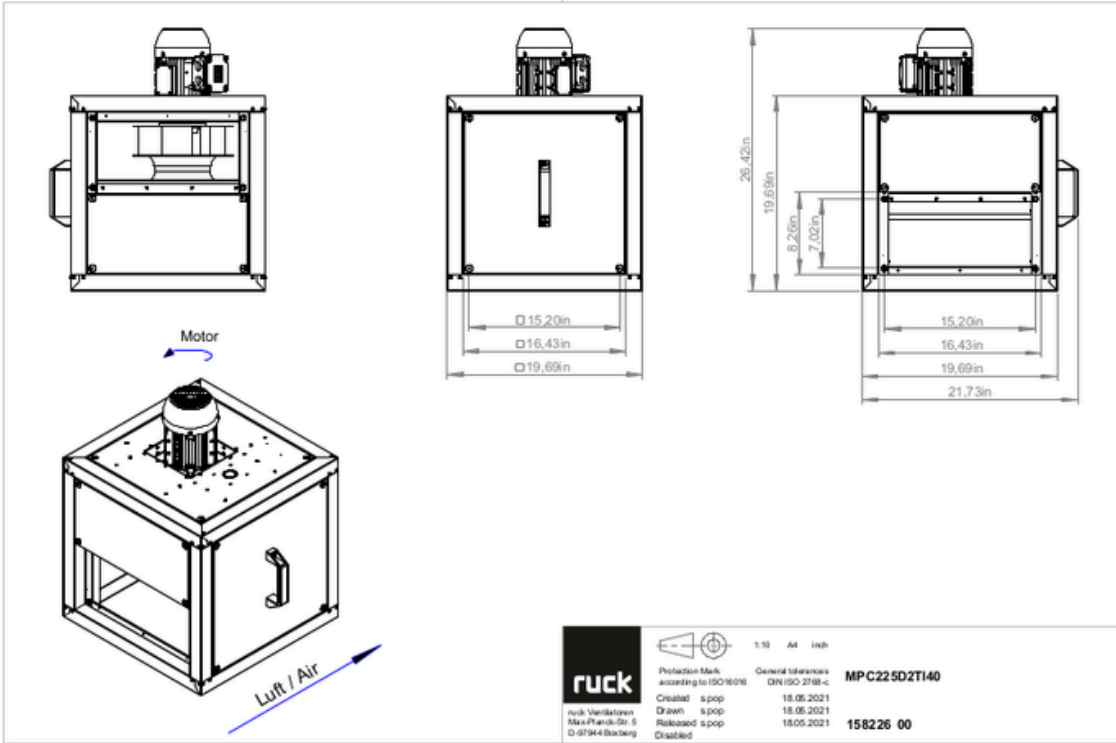
158226

## CIRCUIT DIAGRAMS / DIMENSIONAL DRAWINGS



# MPC 225 D2 TI 40

158226

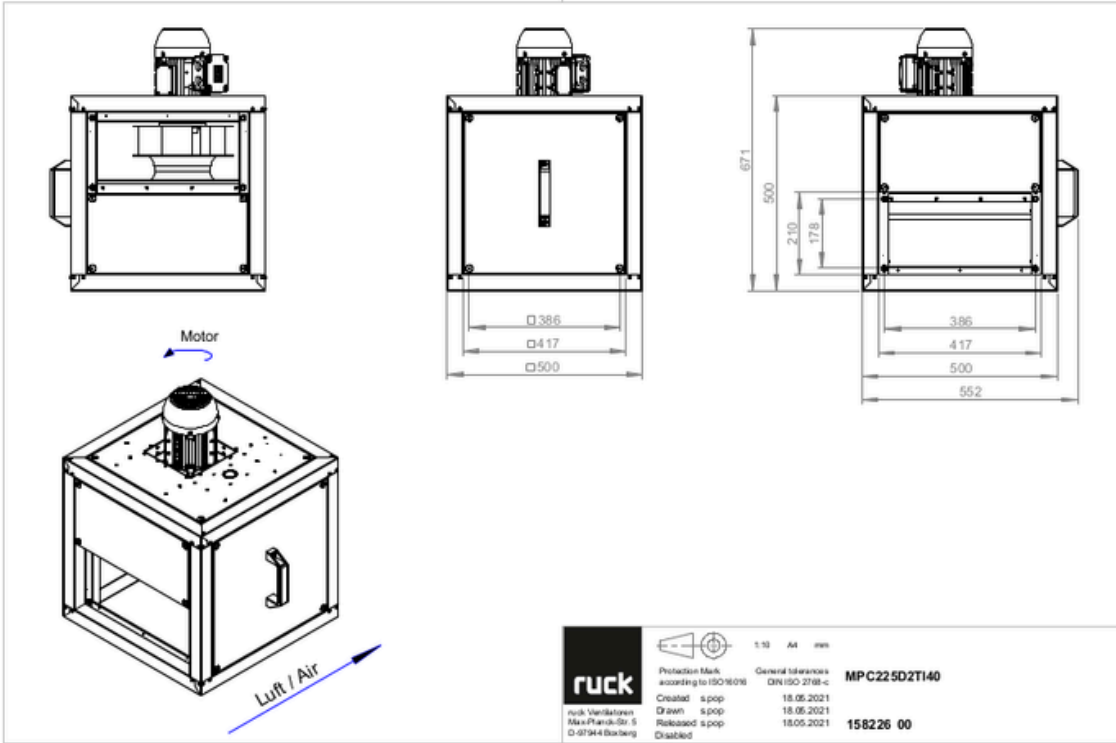


<p>ruck Ventilatoren Max-Planck-Str. 5 D-97944 Boxberg</p>	<p>Protection Mark according to ISO 9006</p>	<p>1:10 A4 inch</p> <p>General tolerances DIN ISO 2768-c</p>	<p><b>MPC225D2TI40</b></p>
	Created s.pop	18.05.2021	
	Drawn s.pop	18.05.2021	
	Released s.pop	18.05.2021	
	Disabled		<b>158226 00</b>



# MPC 225 D2 TI 40

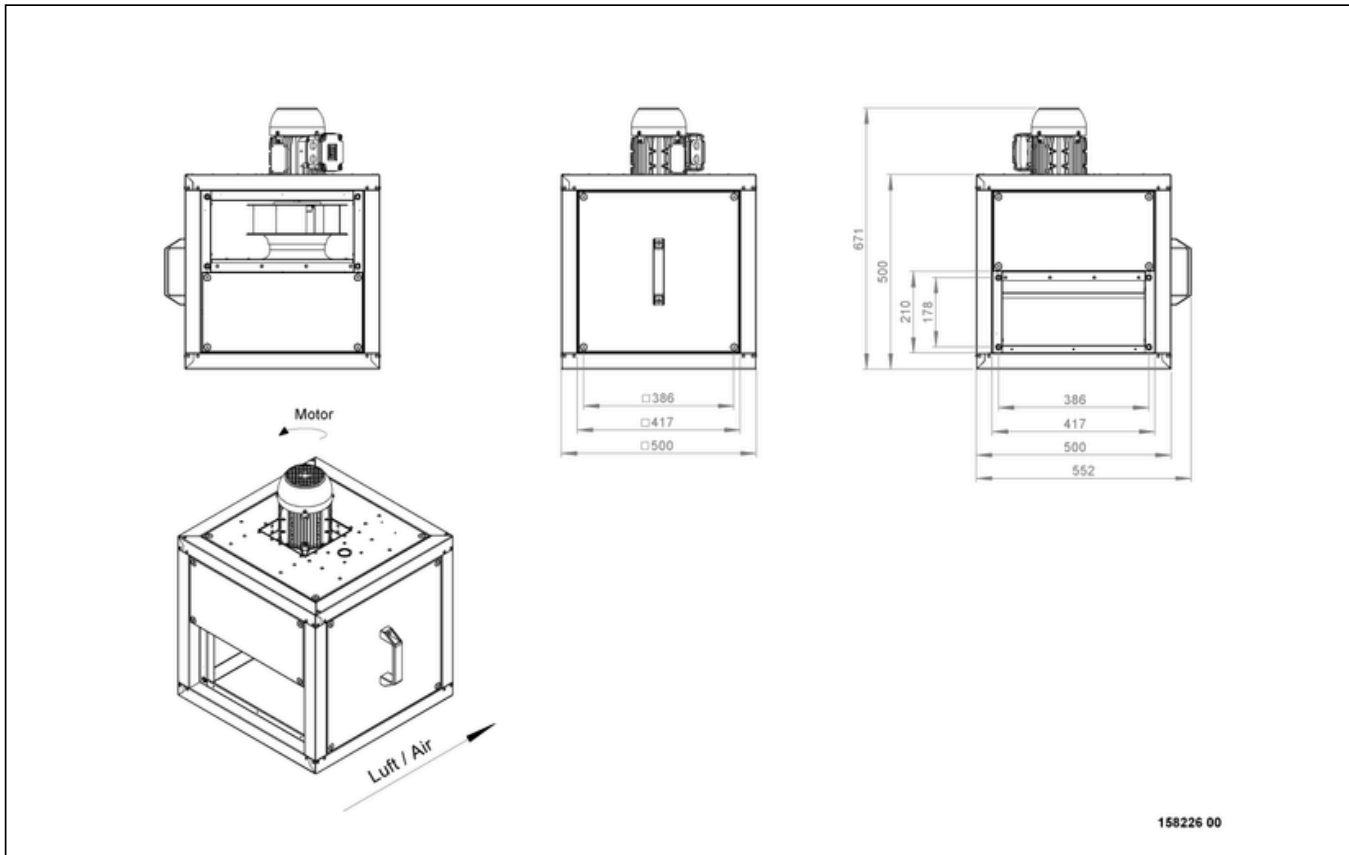
158226



to the product detail page

# MPC 225 D2 TI 40

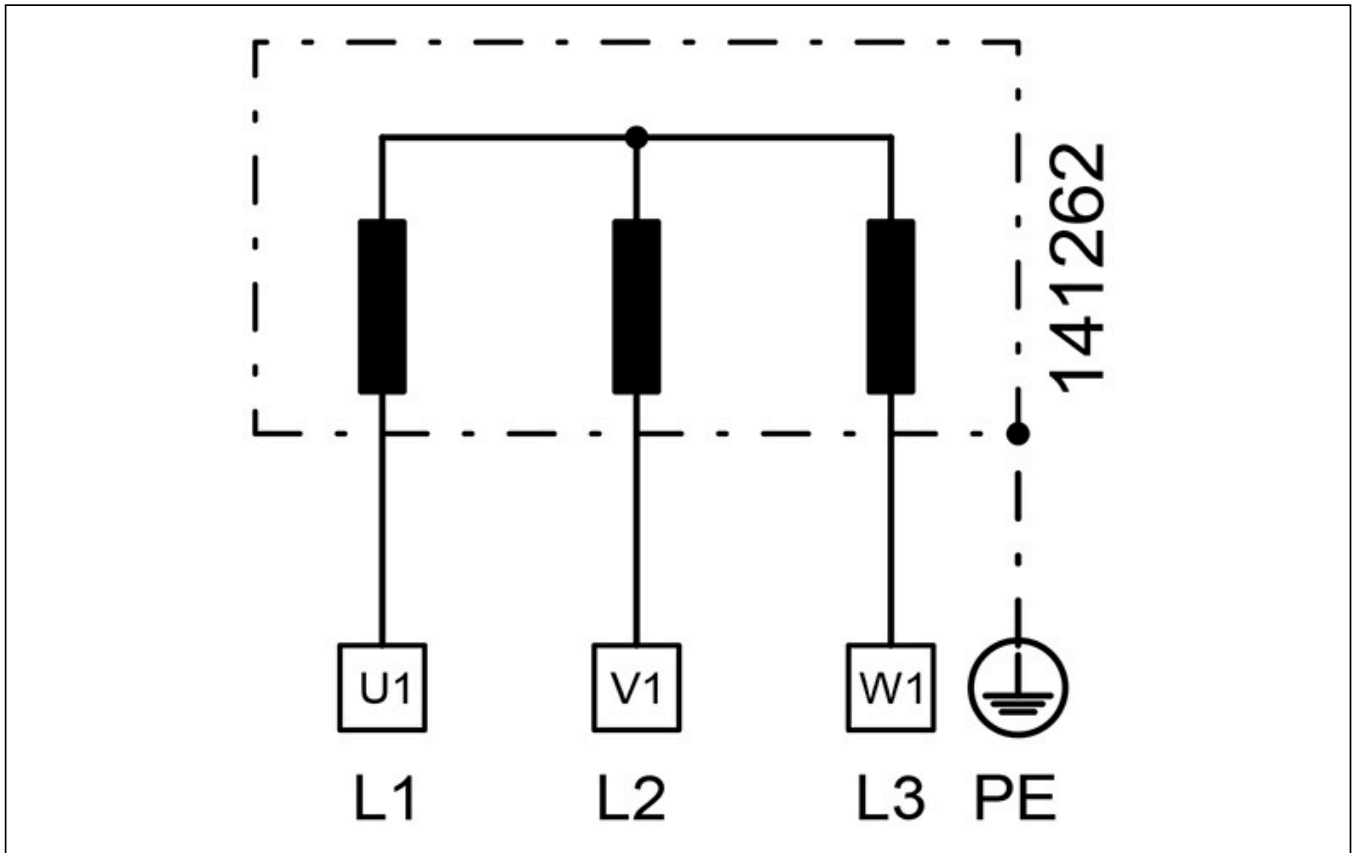
158226





# MPC 225 D2 TI 40

158226



## MECHANICAL ACCESSORIES

**RSK 200 | 102662**



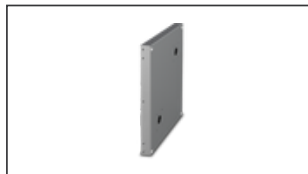
- Back draught shutter for tube fitting
- Galvanized steel sheet housing
- Aluminum flaps

**RSK 200D | 113487**



- Back draught shutter for tube fitting
- Galvanized steel sheet housing
- Aluminum flaps
- Integrated gasket

**UCPD 500 | 146783**



- Panel
- With condensate drain
- Galvanized steel sheet

**VS 39 20 | 160121**



- Duct connector, flexible
- Standard profile flange P20
- Galvanized steel sheet, plastic band (PVC)
- Temperature resistant up to 70 °C

**UKR 3920 11 | 160127**



- Transition duct / tube
- Steel sheet, galvanized
- 390 x 200 mm / NW 200 mm with seal lips

**VM 200 | 102650**



- Fast clamps for sound decoupling and sealing
- Galvanized steel sheet, 5 mm
- Neopren gasket
- 1 Pack = 2 pieces



to the product detail page

# MPC 225 D2 TI 40

158226

## ELECTRICAL ACCESSORIES

**GS 03 | 107633**



- Device switch
- Umax = 400 V, I<sub>max</sub> = 25 A
- Switching capacity 400 V 3~ = 7,5 kW
- Protection class IP 55

**MS 01 | 140407**



- Motor protection switch with Isolator switchfunktion
- I<sub>max</sub> = 400 V, 50/60 Hz
- Max. 0.55 kW
- Protection class IP 55

**MTP 20 | 128146**



- Potentiometer 10 kΩ
- Switching contact 1A/250V AC - 2,5A/12V DC
- Max. ambient temperature 50 °C
- VDE

**MTP 30 | 143289**



- Stepped potentiometer 10 kΩ
- Step 1 + 2 settable 10 % - 100 % Vdc
- Step 3 100 % Vdc
- Supply voltage+10 Vdc

**MTP 40 | 147359**



- Potentiometer 10 kΩ
- Connection in terminal box
- Max. ambient temperature 50 °C
- PU: 20 pieces

**SEN AIR | 148641**



- Airflow and temperature transducer
- Measuring range temperature 0...+50 °C
- With adjustable switching threshold (air speed)
- Measuring range air velocity up to 20 m/s

**CON P1000 | 115259**



- Constant pressure control
- Actual value display possible via optional control unit
- Output 0-10 V DC + FC enable + setpoint reached
- Pressure setting by means of decade switch

**FU 075 08 | 141836**



- Frequency converter
- Supply voltage 230 V 1~ 50/60 Hz
- Output voltage 0 - 230 V 3~
- Protection class IP 20, for switch cabinet

**FU 075 26 | 141869**



- Frequency converter
- Supply voltage 400 V 3~ 50/60 Hz
- Output voltage 0 - 400 V 3~
- Fire mode function (smoke extract fans)

**FU 075 14 | 141847**



- Frequency converter IP66
- Supply voltage 230 V 1~ 50/60 Hz
- Output voltage 0 - 230 V 3~
- Fire mode function (smoke extract fans)

**FU 075 20 | 141858**



- Frequency converter
- Supply voltage 400 V 3~ 50/60 Hz
- Output voltage 0 - 400 V 3~
- Protection class IP 20, for switch cabinet

**MTP 50 | 153133**



- Potentiometer with multifunction output
- 230 VAC ±10 % / 50-60 Hz
- Selectable output: 1-10 VDC / 2-20 mA / 10-100 % PWM
- Min. and max. output value adjustable

